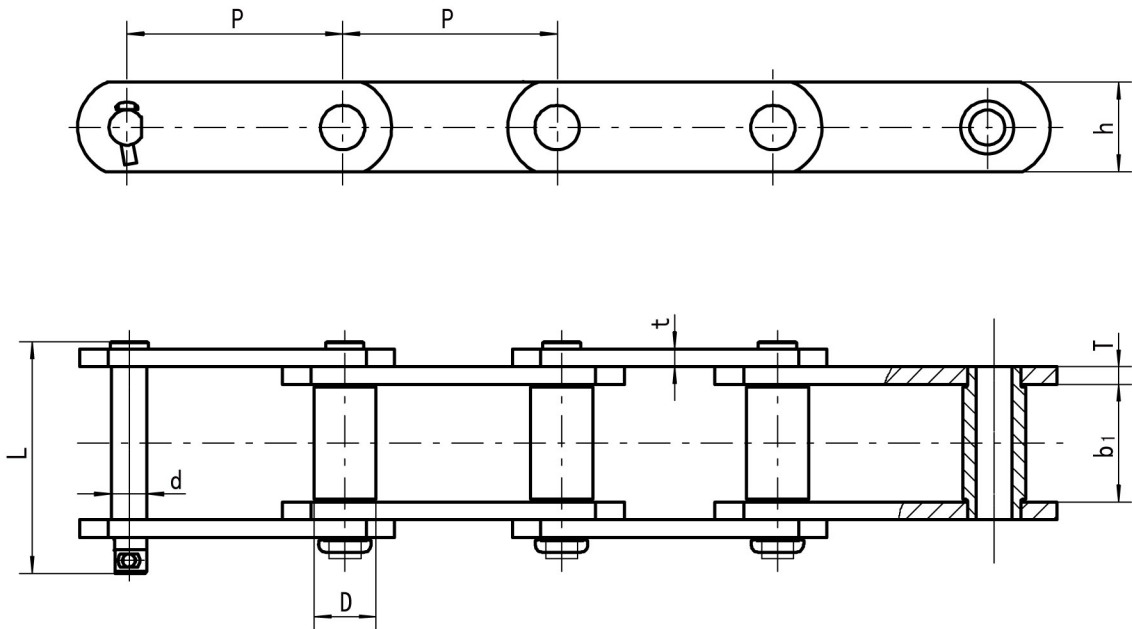




套筒链

Bushed Chains



链号 Chain No.	节距 Pitch P mm	内节内宽 Width between inner Sidebars b_1 (min) mm	套筒 外径 Bush diameter D (max) mm	销轴 Pin		链板 Sidebar		最小抗拉 强度 Ultimate tensile strength Qmin kN	每米净重 Weight per meter q kg/m
				d mm	L mm	h mm	t/T mm		
HS856	152.4	76.2	44.45	25.4	152.2	63.5	12.7	364.5	24.57
HS956	152.4	74.9	44.45	25.4	152.2	76.2	12.7	431.2	24.72
HS857	152.4	76.2	44.45	25.4	152.2	82.6	12.7	431.2	31.27
HS958	152.4	76.2	50.8	28.7	154.2	82.6	14.3	431.2	31.27
HS859	152.4	95.25	60.45	31.75	193.5	101.6	16	689	50.63
HS150	153.67	84.8	44.45	25.4	161.5	63.5	12.7	377.8	24.72
HS864	177.8	95.25	60.45	31.75	193.5	101.6	16	689	49.14
HS984	177.8	92.25	63.5	35.1	186.7	101.6	15.7	689	49.14