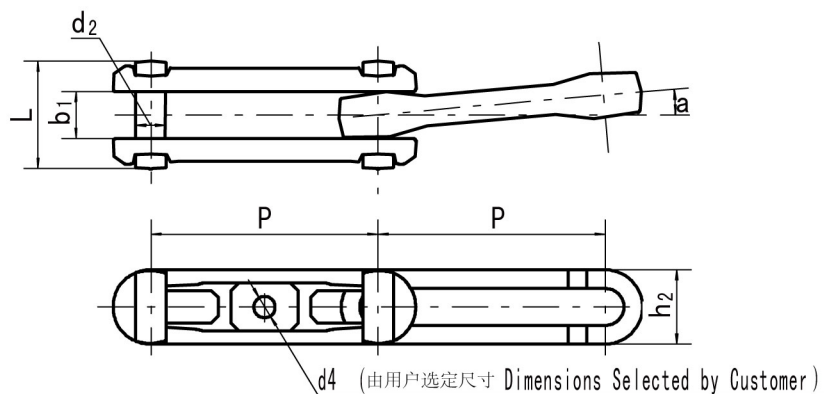


**模锻可拆链**  
Forging Detachable Chain



	链号 Chain No.	参考节距 Eeferenced pitch P mm	销轴直径 Diameter of pin d <sub>2</sub> mm	销轴长度 Length of pin L mm	标准测量长度 Standard measurement length (min/max) mm	标准测量长度 的节距数 Number of pitch of standard measurement Length	侧向转角 Side corner a°	链板宽度 Width of sidebar h <sub>2</sub> mm	最小抗拉 强度 Ultimate tensile strength Q <sub>min</sub> kN	每米重量 Weight per meter q kg/m
英制系列 British system series	X348	76.6	12.7	47	3050/3095.2	40	9	27	98	2.7
	X458	102.4	16	58	3063.1/3090.2	30	9	35	187	5.2
	468H	102.4	19.5	84.1	3063.1/3090.2	30	9	47.8	311.7	11.5
	X678	153.2	22.3	77	3055.1/3082.8	20	7	51.6	318	9.5
	698	153.2	28	95.3	3055.1/3082.8	20	7	60	515	17.0
	698H	152.4	39	154	3039.2/3066.6	20	7	72	1078	37.7
公制系列 Metric system series	HS100X16	100.0	15.5	77	2991.3/3018.3	30	9	35	187	4.7
	HS100X17	100.0	17	77	2991.3/3018.3	30	9	35	187	4.0
	HS160X24	160.0	23.5	96	3190.7/3219.5	20	7	51.6	318	10.3