



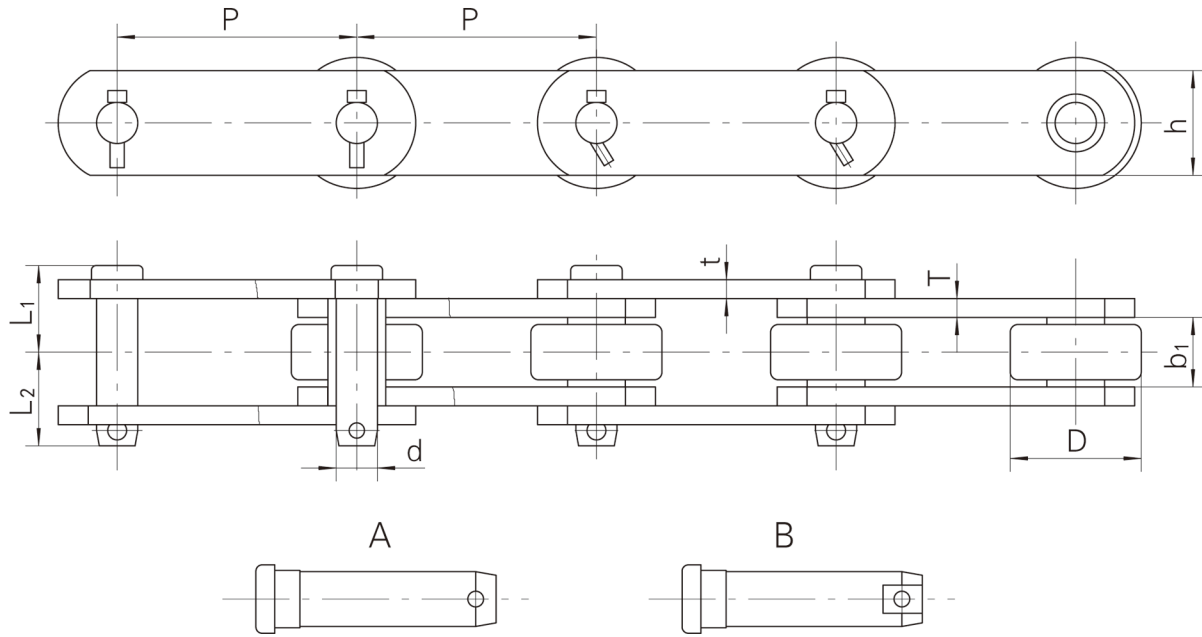
# 目录 CONTENTS

## 糖机链

### Sugar Chains

直板型滚子链及附件 Straight-Sidebar Type Roller Chain & Attachment.....	1-5
直板型套筒链及附件 Straight-Sidebar Type Bushed Chain & Attachment.....	6-7
外置滚轮式滚子链 Outboard Roller Chain.....	8
弯板型滚子链及附件 Cranked Sidebar Type Roller Chain & Attachment.....	9-12
弯板型套筒链及附件 Cranked Sidebar Type Bushed Chain & Attachment.....	13
铸造链及附件 Cast Chain & Attachment.....	14-15
模锻链及附件 Drop-Forging Chain & Attachment.....	16

## 直板型滚子链及附件 Straight-Sidebar Type Roller Chain & Attachment



链号	节距	内节内宽	滚子外径	销轴				链板		最小抗拉强度	每米重量					
Chain No.	Pitch	Width between Inner Sidebars	Roller Diameter	Pin				Sidebar		Ultimate Tensile Strength	Weight per Meter					
				P	b <sub>1</sub> (min)	D(max)	d	L <sub>1</sub>	L <sub>2</sub>			Type	h	t/T	Fu(min)	q
				mm	mm	mm	mm	mm	mm				mm	mm	kN	kg/m
P77.5	77.5	36.7	31.7	16	39.5	47.5	B	38	8	188	10.3					
0904	101.6	29.3	50.8	17.46	31.1	47.4	A	44.5	8	178.4	13.16					
*09060	152.4	37.7	69.85	18.9	45.2	49.1	A/B	50.8	9.5	250	17.2					
*C09061	152.4	37.7	69.85	18.9	44.9	50.3	A	57.2	9.5	377.9	18.74					
*1796	152.4	37.8	69.85	22.23	44.2	52.9	B	57.2	9.5	444.5	18.5					
			76.2								19.5					
			73								19.2					
*C09063	152.4	38	76.2	23.83	47.4	54.6	A	60.3	10.3	622.3	21.88					
C09063S	152.4	38	76.2	23.83	47.4	54.6	B	61.9	10.3	635	22.2					
SC09063	152.4	38	76.2	23.8	46.7	56.3	B	63.5	10.3	600	23.67					

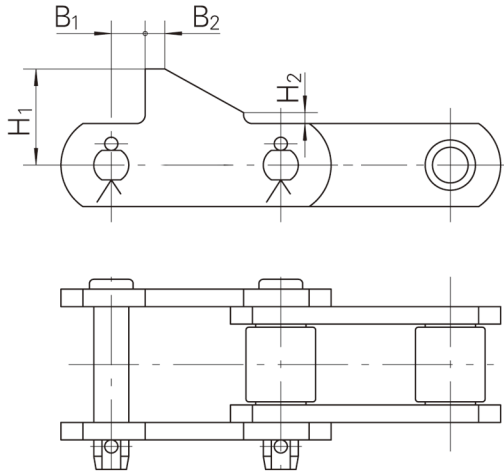
\*链条：销轴与套筒有碳钢和不锈钢两种材质。

\*Chains: There are two kinds of materials for pin and bushing, which are Carbon steel and stainless steel.



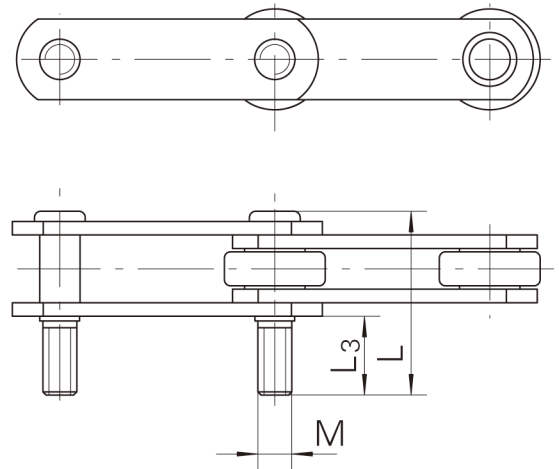
## 直板型滚子链及附件 Straight-Sidebar Type Roller Chain & Attachment

H附件  
H Attachment



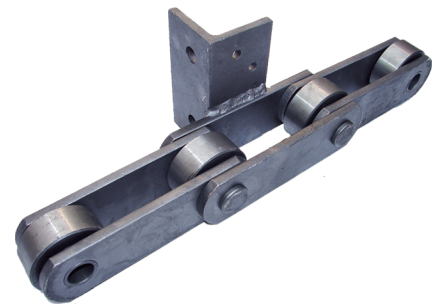
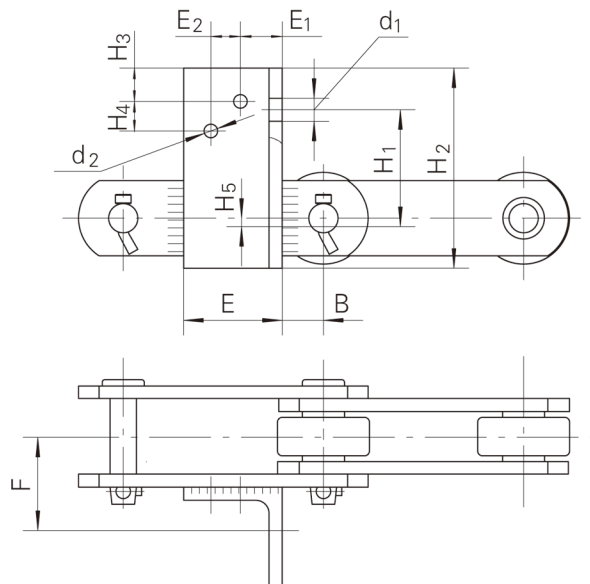
附件号	链号	H <sub>1</sub>	H <sub>2</sub>	B <sub>1</sub>	B <sub>2</sub>
Att. No.	Chain No.	mm	mm	mm	mm
H	P77.5	44	5	16.25	9

SD附件  
SD Attachment



附件号	链号	L	L <sub>3</sub>	M
Att. No.	Chain No.	mm	mm	mm
SD	09060	122	38	M18

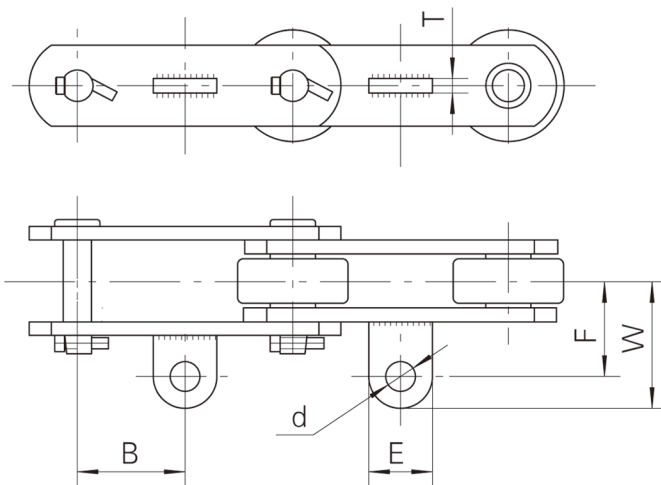
F附件  
F Attachment



附件号	链号	B	F	H <sub>1</sub>	H <sub>2</sub>	H <sub>3</sub>	H <sub>4</sub>	H <sub>5</sub>	E	E <sub>1</sub>	E <sub>2</sub>	d <sub>1</sub>	d <sub>2</sub>
Att. No.	Chain No.	mm	mm	mm	mm	mm	mm	mm	mm	mm	mm	mm	mm
F	C09063	31.4	73.5	88.9	152.4	25.4	22.5	6.35	75	31.8	22.5	17.5	13.1

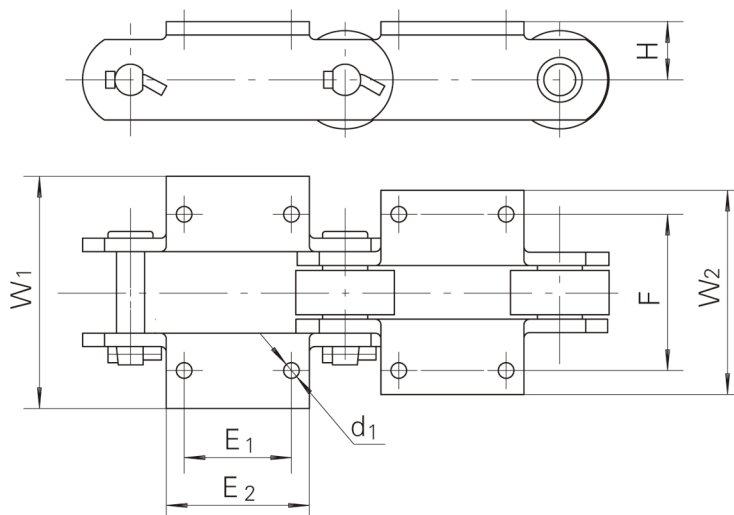
## 直板型滚子链及附件 Straight-Sidebar Type Roller Chain & Attachment

A42附件  
A42 Attachment



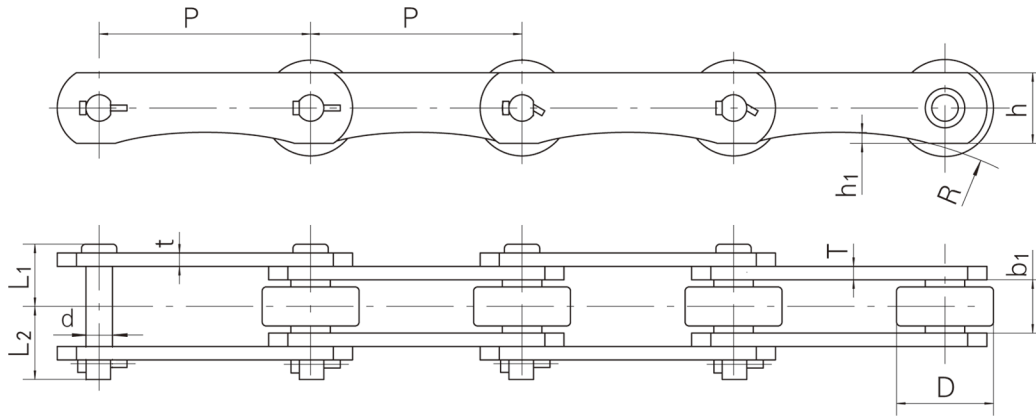
附件号	链号	B	F	W	E	d	T
Att. No.	Chain No.	mm	mm	mm	mm	mm	mm
A42	09060	76.2	67	87.4	45	21	15
	C09061	76.2	67	87.4	45	21	15
	1796	76.2	67	87.4	45	21	15
	SC09063	76.2	63.5	83	44	20	15.3

K2附件  
K2 Attachment



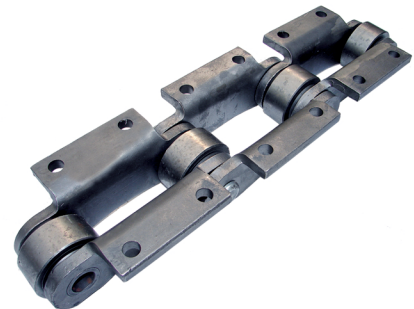
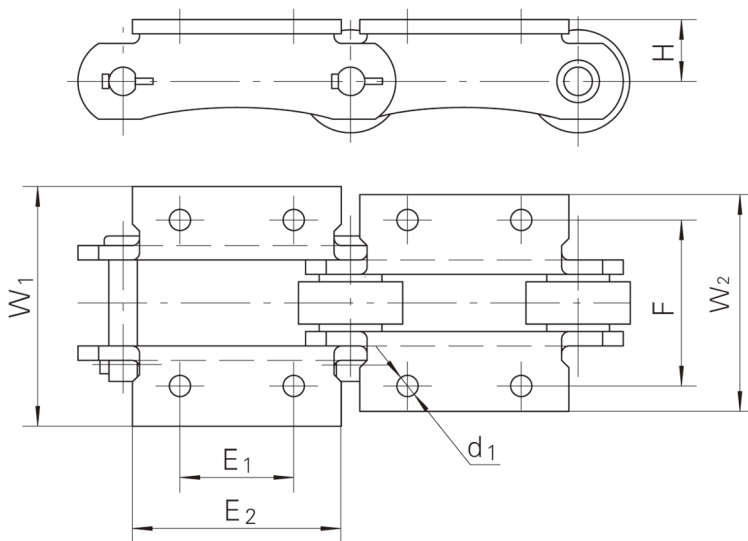
附件号	链号	H	E <sub>1</sub>	E <sub>2</sub>	d <sub>1</sub>	F	W <sub>1</sub>	W <sub>2</sub>
Att. No.	Chain No.	mm	mm	mm	mm	mm	mm	mm
K2	09060	41.3	76.2	114.3	13	111.1	171.5	151.1
	09061	41.3	76.2	114.3	13	111.1	165.1	144.7
	1796	41.3	76.2	114.3	11.1/13/14	111.1	165.1	144.7
	C09063	44.5	76.2	114.3	14.3/12.7	111.1	165.1	143.1

## 直板型滚子链及附件 Straight-Sidebar Type Roller Chain & Attachment



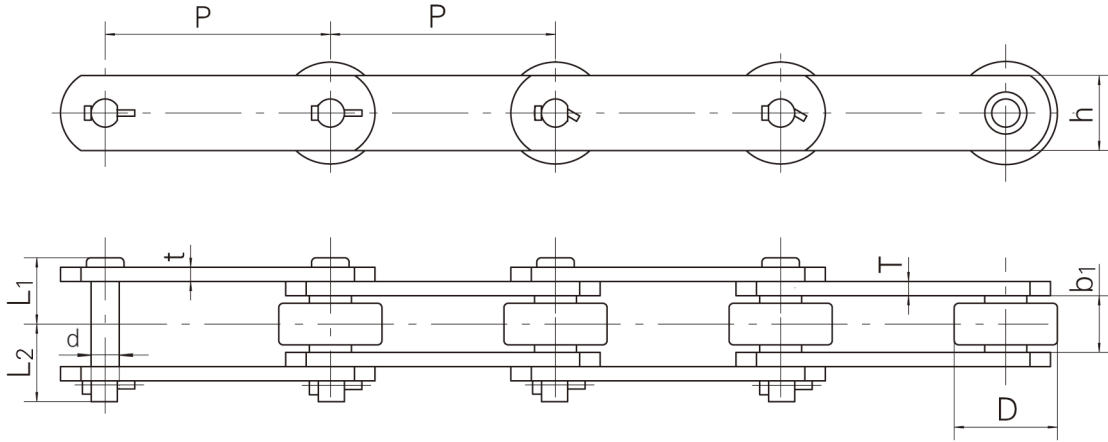
链号	节距	内节内宽	滚子外径	销轴			链板				最小抗拉强度	每米重量
Chain No.	Pitch	Width between Inner Sidebars	Roller Diameter	Pin			Sidebar				Ultimate Tensile Strength	Weight per Meter
	P	b <sub>1</sub> (min)	D(max)	d	L <sub>1</sub>	L <sub>2</sub>	h	h <sub>1</sub>	R	t/T	F <sub>u</sub> (min)	q
	mm	mm	mm	mm	mm	mm	mm	mm	mm	mm	kN	kg/m
SS996	152.4	37.7	69.85	18.9	44.9	49.4	50.8	7.87	266.7	9.5	311	16.86

K2附件  
K2 Attachment



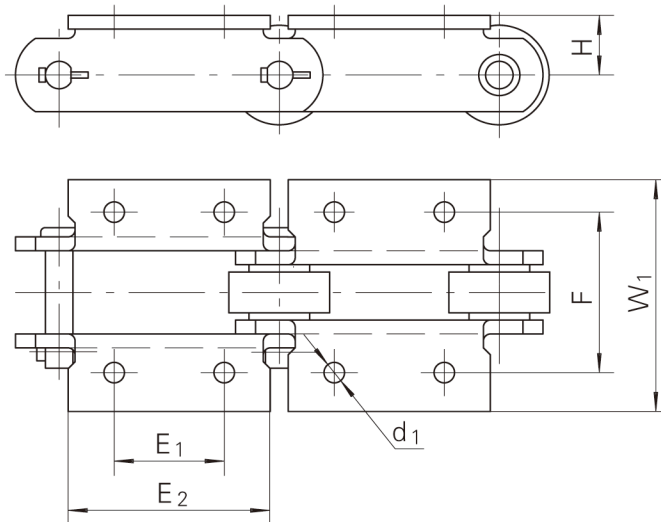
附件号	链号	H	E <sub>1</sub>	E <sub>2</sub>	d <sub>1</sub>	F	W <sub>1</sub>	W <sub>2</sub>
Att. No.	Chain No.	mm	mm	mm	mm	mm	mm	mm
K2	SS996	41.4	76.2	139.7	14.2	111.1	169.1	149.2

直板型滚子链及附件  
Straight-Sidebar Type Roller Chain & Attachment



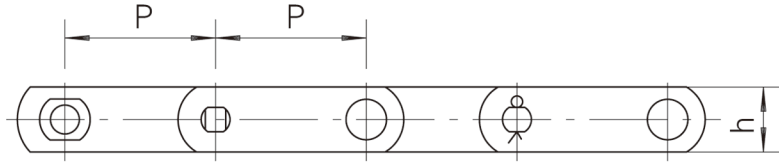
链号	节距	内节内宽	滚子外径	销轴			链板		最小抗拉强度	每米重量
Chain No.	Pitch	Width Between Inner Sidebars	Roller Diameter	Pin			Sidebar		Ultimate Tensile Strength	Weight per meter
	P	b <sub>1</sub> (min)	D(max)	d	L <sub>1</sub>	L <sub>2</sub>	h	t/T	F <sub>u</sub> (min)	q
	mm	mm	mm	mm	mm	mm	mm	mm	kN	kg/m
996	152.4	37.7	69.85	18.9	44.9	49.4	54	10	311	18.7

K2附件  
K2 Attachment

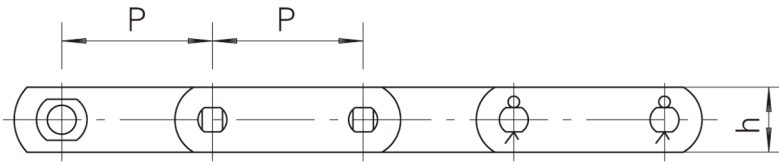
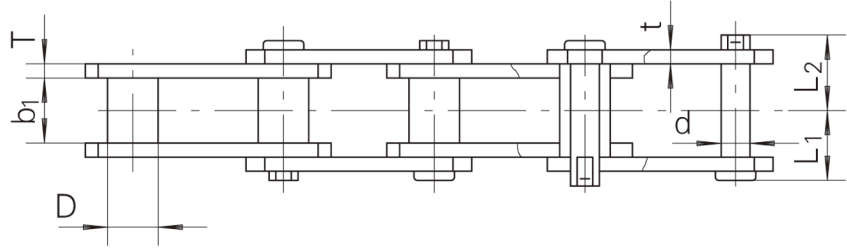


附件号	链号	H	E <sub>1</sub>	E <sub>2</sub>	d <sub>1</sub>	F	W <sub>1</sub>
Att. No.	Chain No.	mm	mm	mm	mm	mm	mm
K2	996	41.3	76.2	139.7	12.7	111.1	141.3

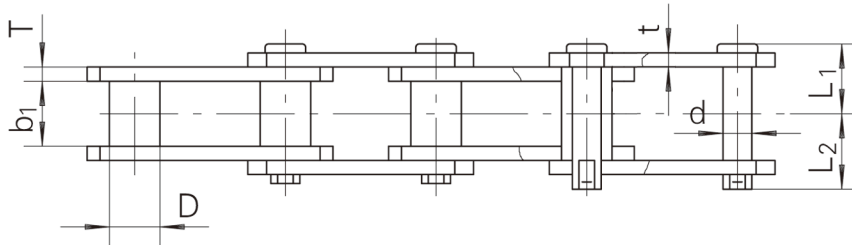
## 直板型套筒链及附件 Straight-Sidebar Type Bushed Chain & Attachment



A型 A Type



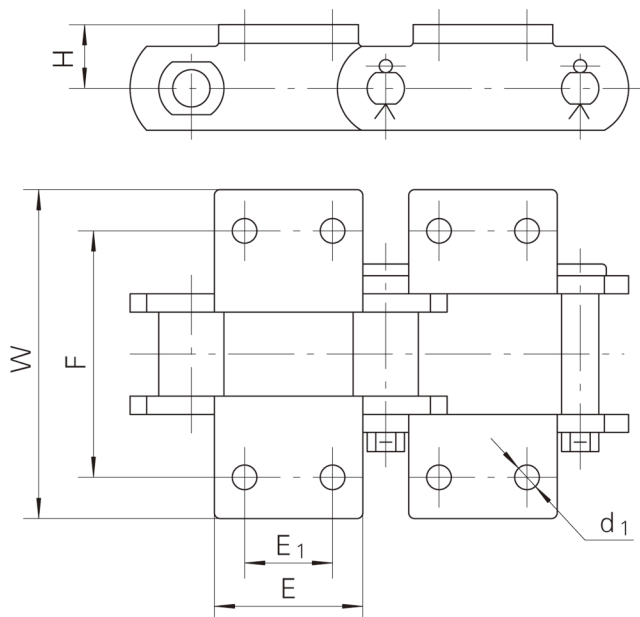
B型 B Type



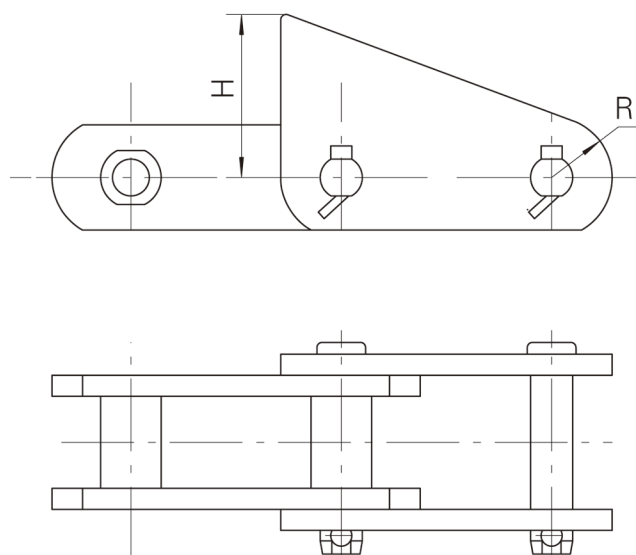
链号	节距	内节内宽	套筒外径	销轴			链板	最小抗拉强度	每米重量		
Chain No.	Pitch	Width between Inner Sidebars	Bush Diameter	Pin			Sidebar	Ultimate Tensile Strength	Weight per Meter		
	P	b <sub>1</sub> (min)	D(max)	d	L <sub>1</sub>	L <sub>2</sub>				Type	
	mm	mm	mm	mm	mm	mm	h	t/T	Fu(min)	q	
SS188	66.27	26.8	22.23	12.7	30.6	34.2	A	28.6	6.4	111.1	5.7
SS131	78.1	32.4	31.75	15.88	41.8	44.9	A	38.1	9.5	177.8	11.62
P80	80	35	23	16	38.9	44.6	B	40	8	240	9.34
SS102B	101.6	53.7	25.4	15.88	52.5	58.1	A	38.1	9.5	177.9	10.37
S111	120.9	63.2	36.6	19.05	57.9	63.6	B	52.3	9.7	214	16.4
SS110	152.4	53.85	31.75	15.88	52.5	58	A	38.1	9.5	177.8	9.54

直板型套筒链及附件  
Straight-Sidebar Type Bushed Chain & Attachment

K2附件  
K2 Attachment



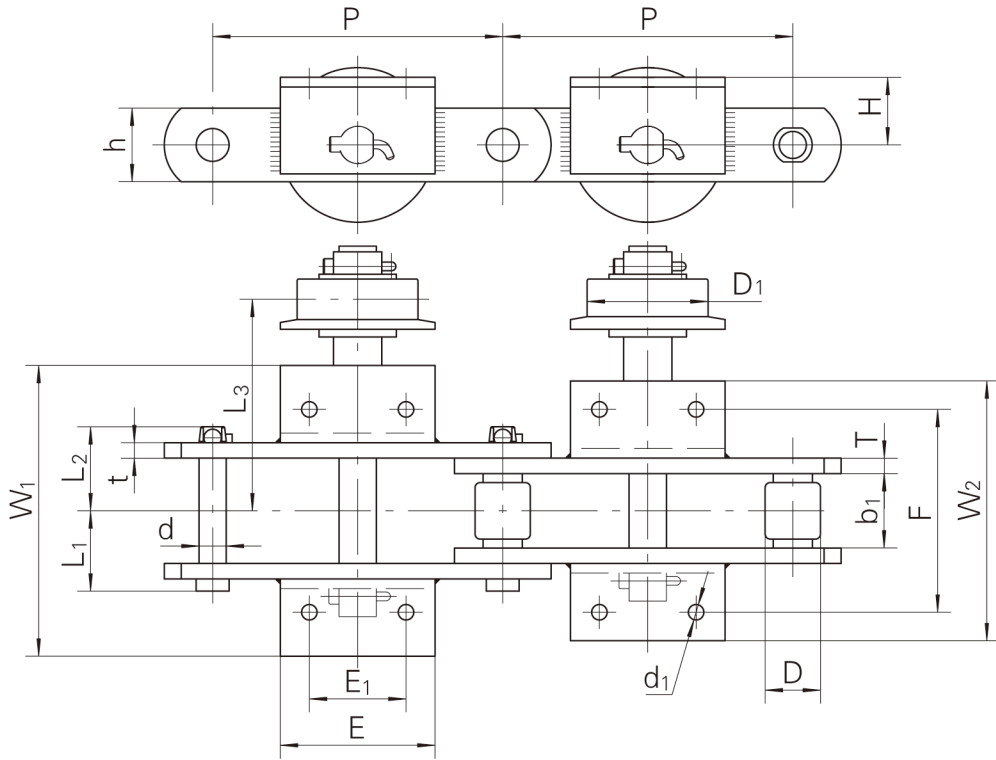
附件号	链号	F	W	H	E	E <sub>1</sub>	d <sub>1</sub> (min)
Att. No.	Chain No.	mm	mm	mm	mm	mm	mm
K2	SS188	106.4	131.6	20.6	54.6	31.8	8
	SS131	104.6	157.0	25.4	73.9	38.1	13.1
	SS102B	134.9	162.8	25.4	66.5	44.45	10.4
	S111	158.8	210.8	38.1	92.7	58.7	13.0
	SS110	134.8	170	25.4	75	44.45	10.4



H附件  
H Attachment

附件号	链号	H	R
Att. No.	Chain No.	mm	mm
H	P80	62	23

## 外置滚轮式滚子链 Outboard Roller Chain



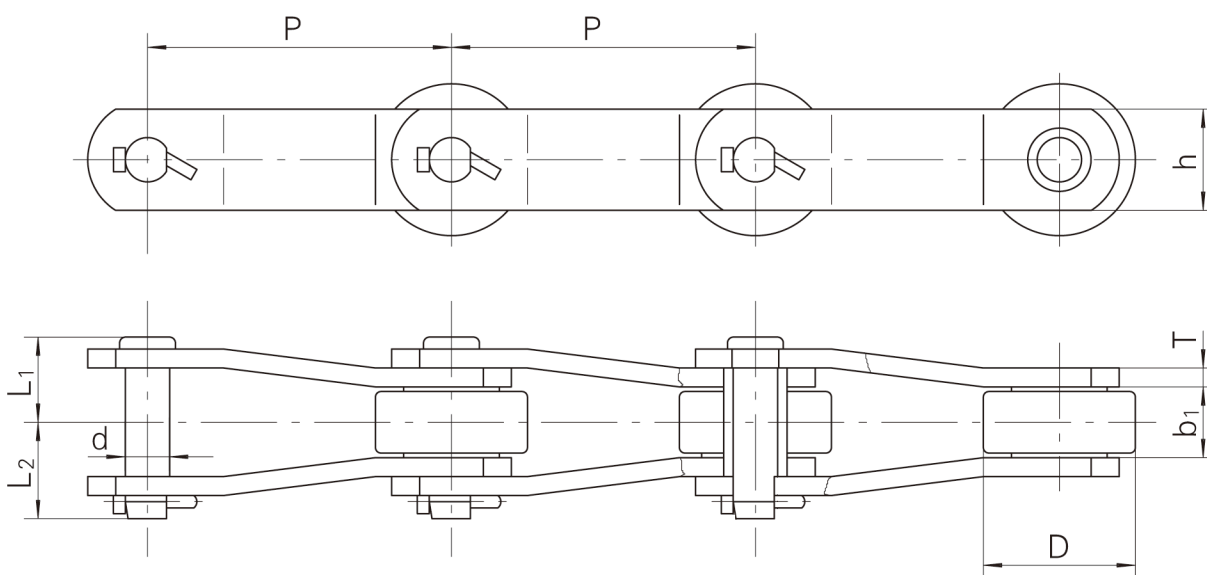
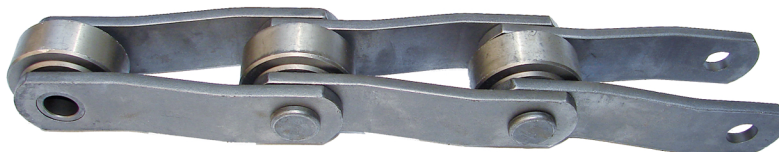
链号	节距	内节内宽	滚子外径		销轴			链板		最小抗拉强度
Chain No.	Pitch	Width between Inner Sidebars	Roller Diameter		Pin			Sidebar		Ultimate Tensile Strength
	P	b1(min)	D	D1	d	L1	L2	h	t/T	Fu(min)
	mm	mm	mm	mm	mm	mm	mm	mm	mm	kN
*30054S	300	77	57.15	125	28	81.7	89	76.2	16	670
30055SS	300	77	57.15	125	28	81.7	89	76.2	16	670

H	F	L3	W1	W2	E1	E	d1
mm	mm	mm	mm	mm	mm	mm	mm
70	210	219	293.4	259.5	100	160	19
70	210	219	394	259.5	100	160	16

\*链条销轴与套筒有碳钢和不锈钢两种材质。

\*Chains: There are two kinds of materials for pin and bushing, which are Carbon steel and stainless steel.

## 弯板型滚子链及附件 Cranked Sidebar Type Roller Chain & Attachment



链号	节距	窄端内宽	滚子外径	销轴			链板		最小抗拉强度	每米重量
Chain No.	Pitch	Inner Width	Roller Diameter	Pin			Sidebar		Ultimate Tensile Strength	Weight per Meter
	P	b <sub>1</sub> (min)	D (max)	d	L <sub>1</sub>	L <sub>2</sub>	h	T	Fu(min)	q
	mm	mm	mm	mm	mm	mm	mm	mm	kN	kg/m
*D2184	152.4	34.9	76.2	22.23	43.9	51.2	50.8	9.5	355.6	17.7
W1796	152.4	37.8	69.85	22.23	44.2	52.9	57.2	9.5	444.5	18.59
*JK1796	152.4	37.8	76.2	22.23	44.2	52.9	57.2	9.5	444.5	21.3
09063	152.4	38	76.2	23.83	47.1	54.9	60.3	10.3	622.3	21.83
8184	203.2	45.9	88.9	25.4	59.7	65.8	69.9	12.7	742.4	29.2
2284	228.6	36.9	90	25.4	45.4	53	65	10	420	21.88
2284H	228.6	36.9	90	25.4	49.5	57.2	65	12	510	24.7
C2614	304.8	69.85	63.5	31.75	78.5	84.5	88.9	15.9	1000	33.68

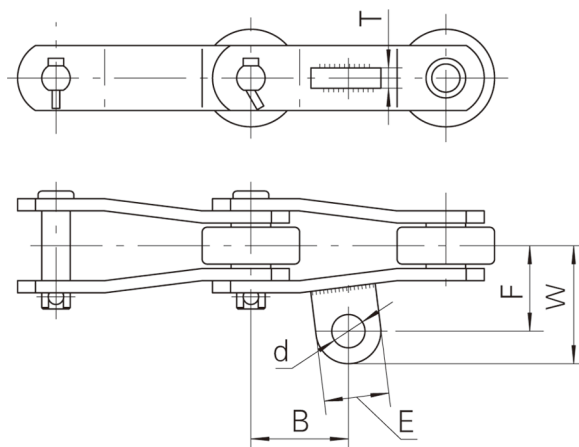
\*链条：销轴与套筒有碳钢和不锈钢两种材质。

\*Chains: There are two kinds of materials for pin and bushing, which are Carbon steel and stainless steel.



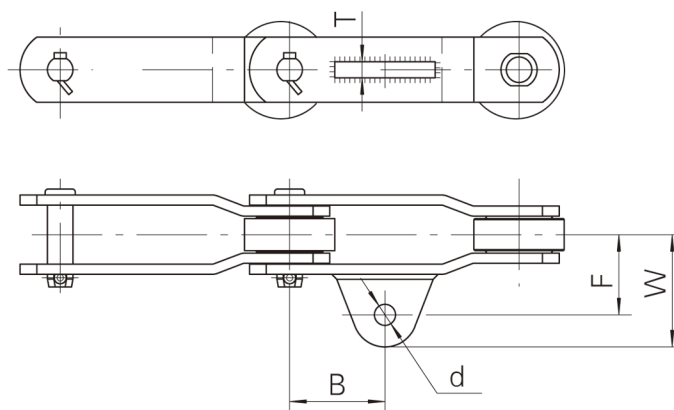
## 弯板型滚子链及附件 Cranked Sidebar Type Roller Chain & Attachment

A42附件  
A42 Attachment



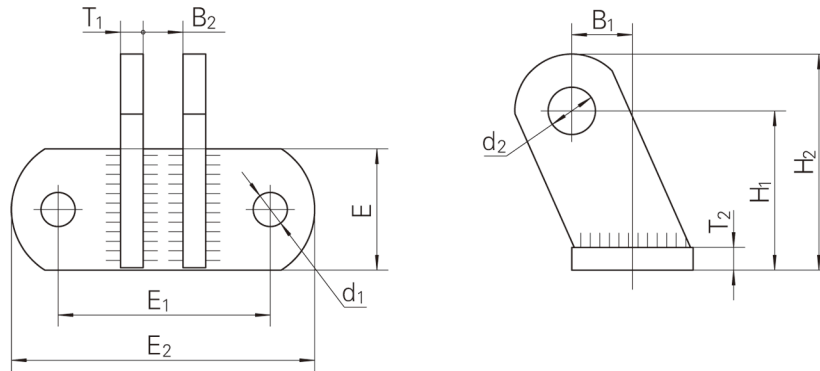
附件号	链号	B	F	W	E	d	T
Att. No.	Chain No.	mm	mm	mm	mm	mm	mm
A42	D2184	76.2	66.7	92.1/88.7	50.8/44	21	15
	D2184B	76.2	66.7	88.7	44	21	15
	JK 2184	76.2	70.2	92.2	50.8	21	15
	VC 2184	76.2	65	93	50	16.3	15.2
	W1796	76.2	66.9	89.5	45	21	15
	JK 1796S	76.2	67	89	45	21	15
	09063	76.2	74.6	99.6	50	20.64	15
	8184	101.6	81.8	107.2	50.8	19.8	15

A2附件  
A2 Attachment

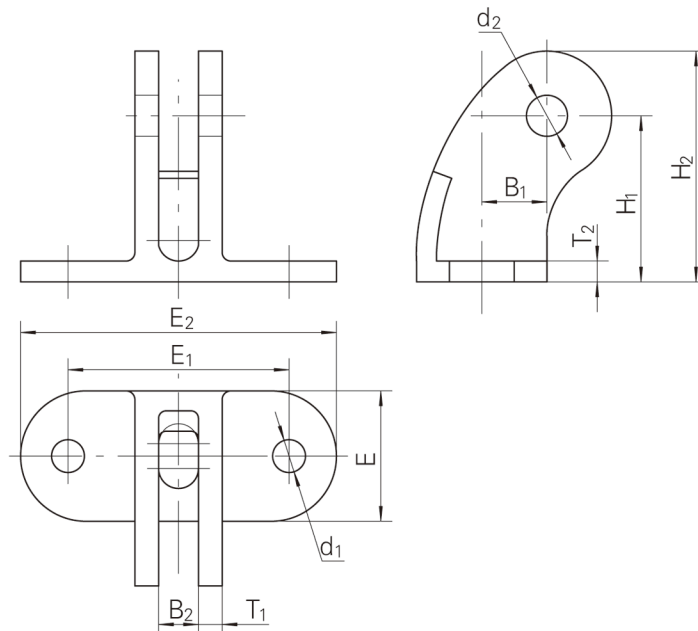


附件号	链号	B	F	W	d	T
Att. No.	Chain No.	mm	mm	mm	mm	mm
A2	2284	95	80	112	21	16
	2284H	95	80	112	21	16

弯板型滚子链及附件  
Cranked Sidebar Type Roller Chain & Attachment

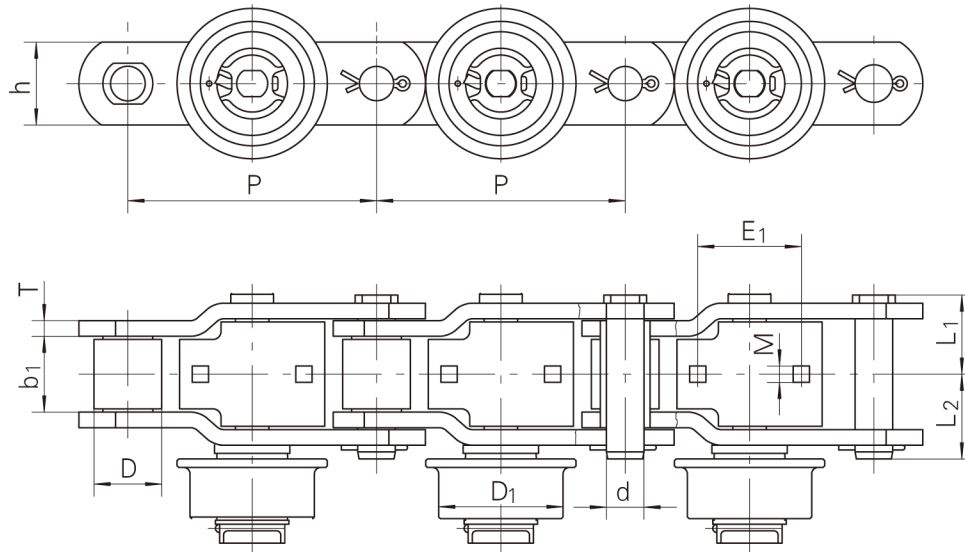


附件号	E	E <sub>1</sub>	E <sub>2</sub>	B <sub>1</sub>	B <sub>2</sub>	T <sub>1</sub>	T <sub>2</sub>	H <sub>1</sub>	H <sub>2</sub>	d <sub>1</sub>	d <sub>2</sub>
Att. No.	mm	mm	mm	mm	mm	mm	mm	mm	mm	mm	mm
1C22	50.8	82.6	114.3	22.17	16.7	9.5	9.5	35	55.5	14.3	21
2C22	50.8	88.9	127	25.4	16.8	9.5	9.5	66.8	90.6	13/14.2	20.8
3C22	50.8	88.9	127	25.4	17.8	9.5	9.5	66.8	90.6	14.2	16.8
4C22	50.8	88.9	127	25.4	16.8	9.5	9.5	66.8	90.6	14.2	19.8

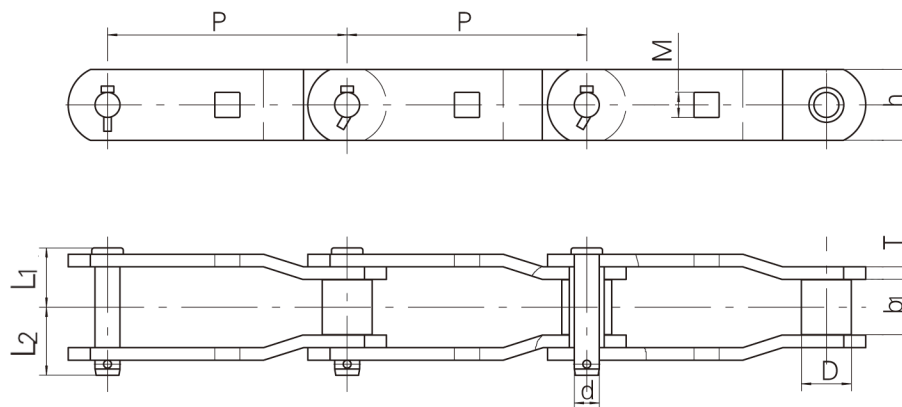


附件号	E	E <sub>1</sub>	E <sub>2</sub>	B <sub>1</sub>	B <sub>2</sub>	T <sub>1</sub>	T <sub>2</sub>	H <sub>1</sub>	H <sub>2</sub>	d <sub>1</sub>	d <sub>2</sub>
Att. No.	mm	mm	mm	mm	mm	mm	mm	mm	mm	mm	mm
1AS2	50.8	82.5	114.3	22	16	9.5	9.5	35.1	60.1	12.7	21
2AS2	50.8	89	127	22	16	9.5	9.5	67	93	12.7	21
3AS2	52.4	89	127.5	26.92	16	9.55	8.4	66.8	92.8	13.2	16.5
4AS2	50.8	82.6	115	25.4	17	9.5	7.9	34.9	54.7	14.5	19

## 弯板型滚子链及附件 Cranked Sidebar Type Roller Chain & Attachment

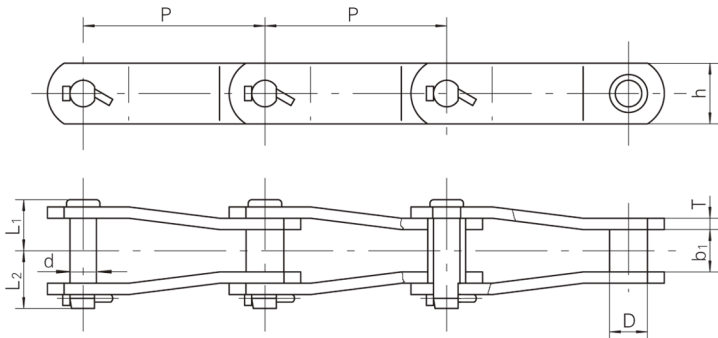


链号	节距	内节内宽	链板				销轴			滚子直径	侧置滚子	最小抗拉强度	每米重量
Chain No.	Pitch	width between Inner Sidebars	Sidebar				Pin			Roller Diameter	Outboard Roller	Ultimate Tensile Strength	Weight per Meter
	P	b <sub>1</sub> (min)	T	h	M	E1	d	L <sub>1</sub>	L <sub>2</sub>	D(max)	D <sub>1</sub>	Fu(min)	q
	mm	mm	mm	mm	mm	mm	mm	mm	mm	mm	mm	kN	kg/m
C2648	304.8	92.1	19.05	101.6	20.6	127	40.89	98	104.5	82.55	152.4	1350	105.6



链号	节距	内节内宽	链板				销轴			滚子直径	最小抗拉强度	每米重量
Chain No.	Pitch	Width between Inner Sidebars	Sidebar				Pin			Roller Diameter	Ultimate Tensile Strength	Weight per Meter
	P	b <sub>1</sub> (min)	T	h	M	d	L <sub>1</sub>	L <sub>2</sub>	D(max)	Fu(min)	q	
	mm	mm	mm	mm	mm	mm	mm	mm	mm	kN	kg/m	
C2614	304.8	69.85	15.9	88.9	32.55	31.75	78.5	84.5	63.5	1000	33.7	

## 弯板型套筒链及附件 Cranked Sidebar Type Bushed Chain & Attachment

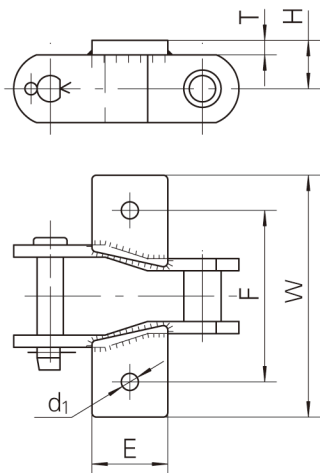


链号	节距	窄端内宽	套筒外径	销轴			链板		最小抗拉强度	每米重量
Chain No.	Pitch	Inner Width	Bush Diameter	Pin			Sidebar		Ultimate Tensile Strength	Weight per Meter
	P	b <sub>1</sub> (min)	D (max)	d	L <sub>1</sub>	L <sub>2</sub>	h	T	Fu(min)	q
	mm	mm	mm	mm	mm	mm	mm	mm	kN	kg/m
*SS100D	100	33.27	33.27	17.27	38.4	48.6	44.5	8	200	10.47
B5094	101.6	39.8	36.5	15.77	43.3	46.1	44.45	8	180	11.36

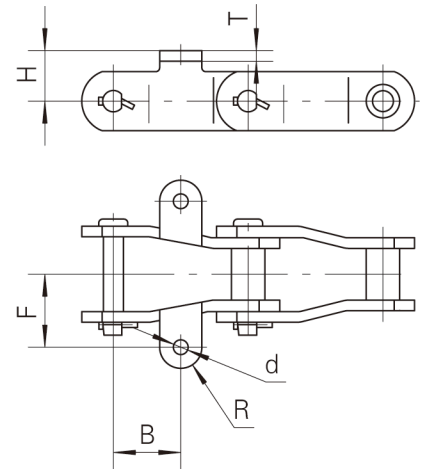
\*链条：销轴与套筒有碳钢和不锈钢两种材质。

\*Chains: There are two kinds of materials for pin and bushing, which are Carbon steel and stainless steel.

K1 附件  
K1 Attachment



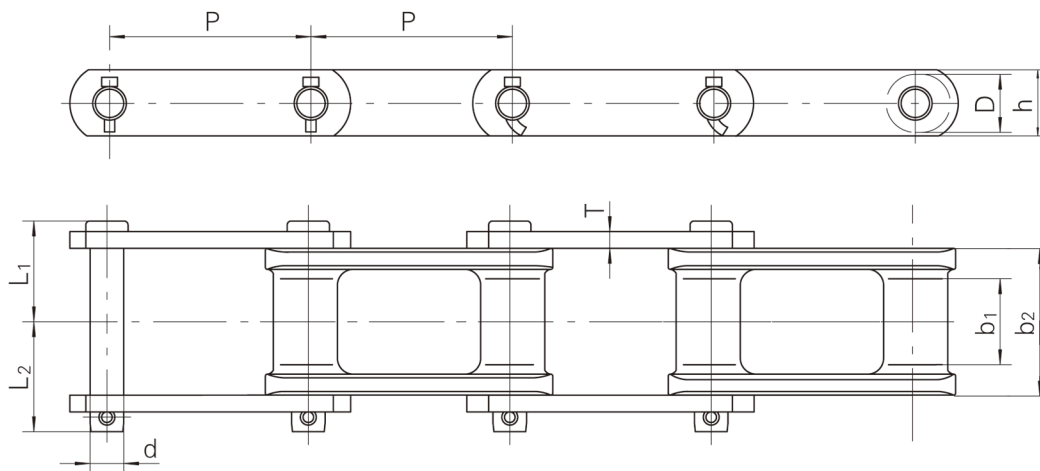
K1 附件  
K1 Attachment



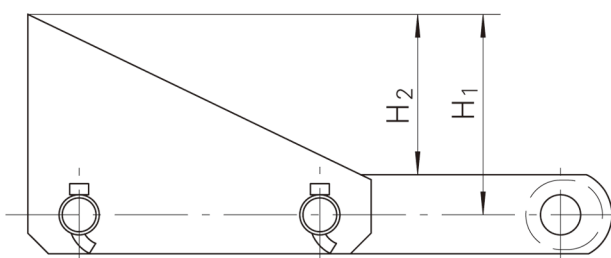
附件号	链号	H	T	B	F	R	d
Att. No.	Chain No.	mm	mm	mm	mm	mm	mm
K1	B5094	38.1	8	50.8	111.2	15.9	11.12

附件号	链号	F	W	E	d <sub>1</sub>	T	H
Att. No.	Chain No.	mm	mm	mm	mm	mm	mm
K1	SS100D	112.78	159	50	11.2	9.5	31.75

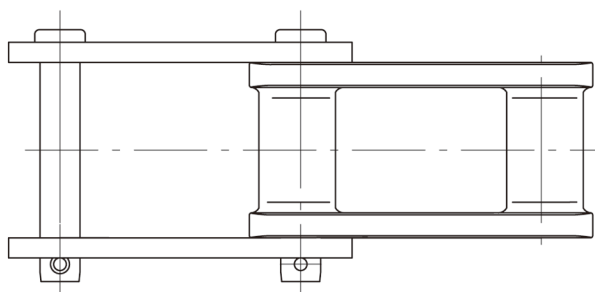
## 铸造链及附件 Cast Chain & Attachment



链号	节距	铸造链节			销轴			链板		最小抗拉强度	每米重量
Chain No.	Pitch	Cast link			Pin			Sidebar		Ultimate Tensile Strength	Weight per Meter
	P	b <sub>1</sub> (min)	b <sub>2</sub> (max)	D(max)	d	L <sub>1</sub>	L <sub>2</sub>	h	T	Fu(min)	q
	mm	mm	mm	mm	mm	mm	mm	mm	mm	kN	kg/m
C132	152.4	73	111.5	48.5	25.4	75	90	50.8	12.7	267	21.49

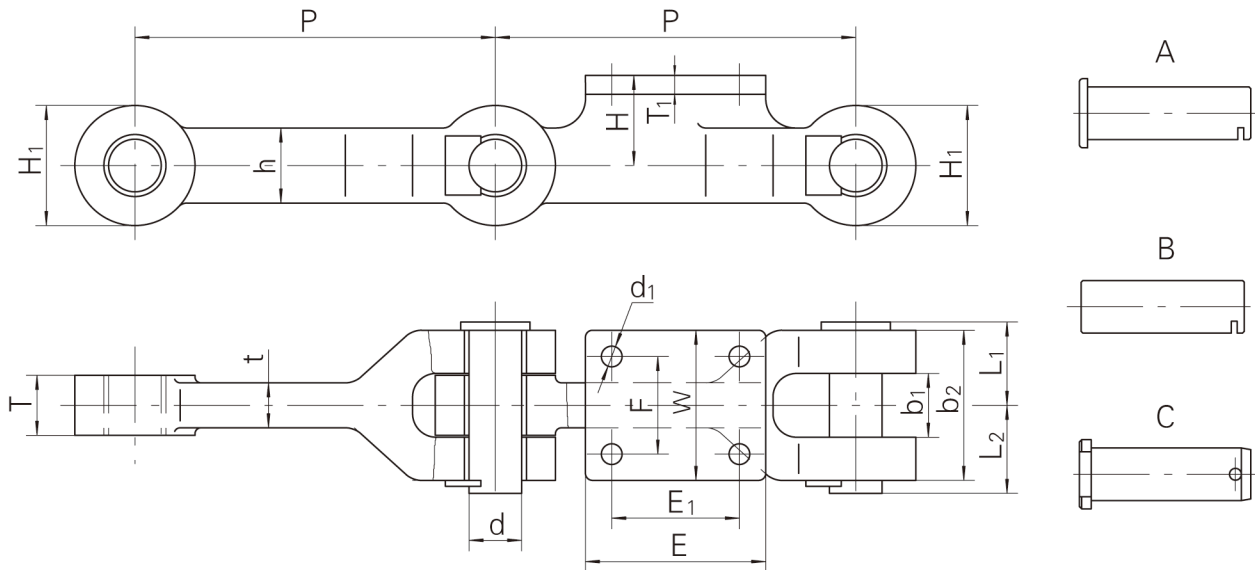


S1附件  
S1 Attachment



附件号	链号	H <sub>1</sub>	H <sub>2</sub>
Att. No.	Chain No.	mm	mm
S1	C132	127	101.6

## 铸造链及附件 Cast Chain & Attachment

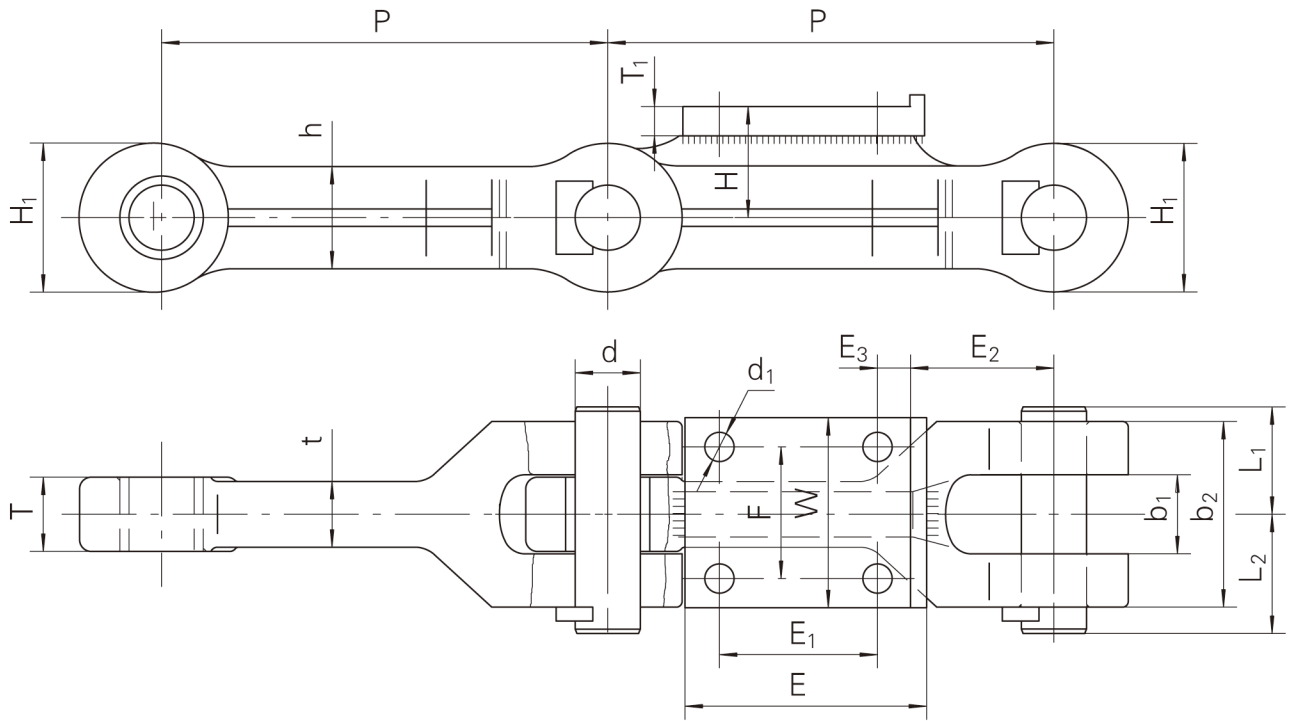


链号	节距	销轴				链板					最小抗拉强度
Chain No.	Pitch	Pin				Sidebar					Ultimate Tensile Strength
	P	d	L1	L2	Type	b1	b2	t	T	h	Fu(min)
	mm	mm	mm	mm		mm	mm	mm	mm	mm	mm
CS 200	200	38.5	52	58	A	42	92	20	40	75	622.3
CS 203.2	203.2	38.5	52	58	A	42	92	20.5	40	75	622.3
CS 228.6	228.6	32	51	69	B	48	102	35	45	50.8	500
CS 304.8A	304.8	44.5	70.5	75.5	A/C	54	127	38.1	50.8	63.5	880
CS 304.8B	304.8	44.5	63.5	81.5	B/C	54	127	38.1	50.8	63.5	880

H	H1	F	W	T1	E1	E	d1
mm	mm	mm	mm	mm	mm	mm	mm
81.5	75	56	92	16	50	100	17
81.5	75	56.2	92	16.5	50	100	17
66.8	76	70	112	16	76	125	16
76.2	101.6	82.6	127	16	108	152.5	17.5
76.2	101.6	82.6	127	16	108	152.4	17.5

销轴型号为A的链节，两个节距孔内均有衬套，销轴型号为B的链节，仅窄端节距孔内有衬套，销轴为C是止锁销型式。  
For the chain links with A type pin, there is a liner bushing in the pitch holes of both narrow end and wide end, and for the ones with B type pin, there is a liner bushing in the pitch hole of narrow end only, C: pin is pinlock type.

## 模锻链及附件 Drop-Forging Chain & Attachment



链号	节距	销轴			链板					最小抗拉强度
Chain No.	Pitch	Pin			Sidebar					Ultimate Tensile Strength
	P	d	L1	L2	b1	b2	t	T	h	Fu(min)
	mm	mm	mm	mm	mm	mm	mm	mm	mm	kN
FI 304.8	304.8	44.5	73.5	81.5	54	127	45	50.8	70	1246.6

H	H1	F	W	T1	E	E1	E2	E3	d1
mm	mm	mm	mm	mm	mm	mm	mm	mm	mm
76	102	83	130	20	165	108	98	22.5	20