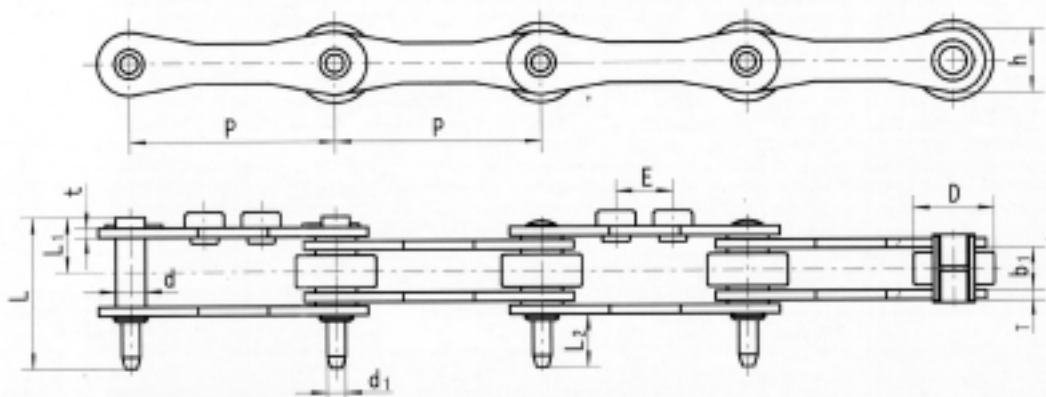


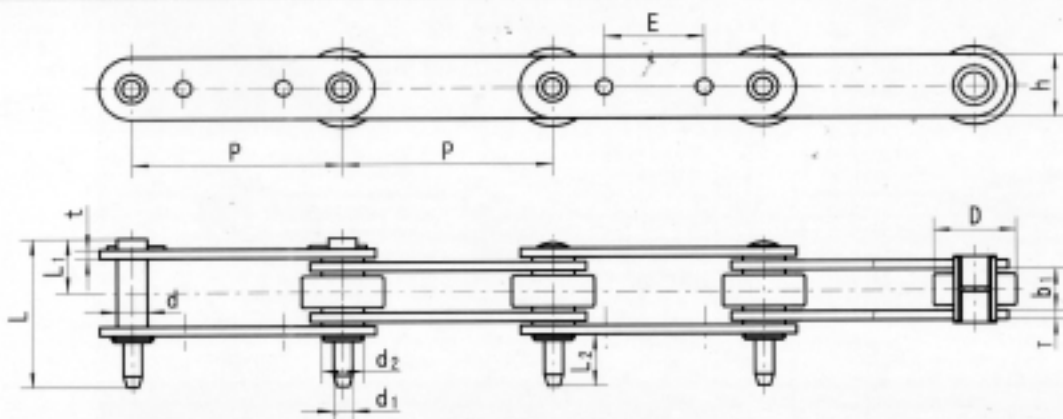
# 冷饮食品链

## Cold Drink & Food Processing Chains



链号 Chain No:	L <sub>1</sub> mm	E mm
P95.25-D*	21.6	40
P125-D*	21.5	60

链号 Chain No.	节距 Pitch P mm	内节内宽 Width between inner plates b <sub>1</sub> (min) mm	滚子外径 Roller diameter D(max) mm	销轴 Pin				链板 Plate		最小抗 拉强度 Ultimate tensile strength Q(min) kN
				d mm	d <sub>1</sub> mm	L <sub>1</sub> mm	L mm	h mm	t/T mm	
P95.25-D*	95.25	13	28	10	7	18	53.4	26	3	25
P125-D*	125	15	30	12	8	21	59	28	3.1/4	32



d <sub>2</sub> mm	L <sub>2</sub> mm	E mm
12.7	22.5	85

链号 Chain No.	节距 Pitch P mm	内节内宽 Width between inner plates b <sub>1</sub> (min) mm	滚子外径 Roller diameter D(max) mm	销轴 Pin				链板 Plate		最小抗 拉强度 Ultimate tensile strength Q(min) kN
				d mm	d <sub>1</sub> mm	L <sub>1</sub> mm	L mm	h mm	t/T mm	
P150	150	15	30	11.8	8	20.85	59.6	26	3/4	32

注：带 \* 链条滚子分工程塑料和不锈钢两种材质。

Note: For the chains with\*, there are two kinds of materials for their rollers, engineering plastic and stainless steel.