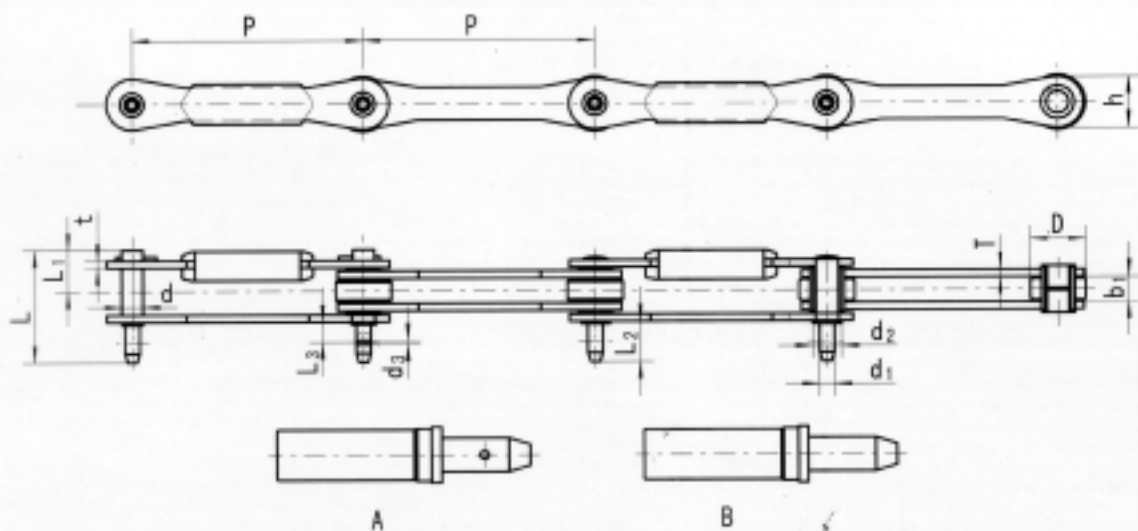


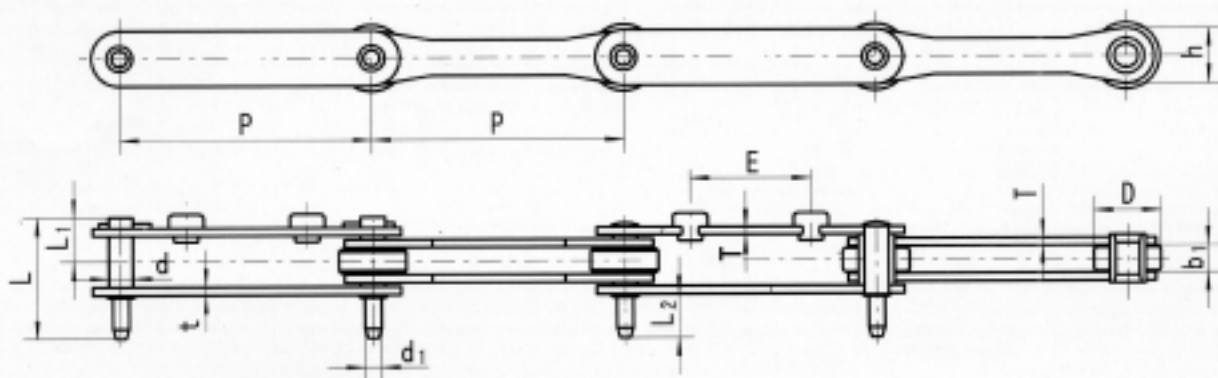
# 冷饮食品链

## Cold Drink & Food Processing Chains



链号 Chain No.	L <sub>2</sub>	d <sub>2</sub>
AMP125-D	12.3	2

链号 Chain No.	节距 Pitch P mm	内节内宽 Width between inner plates b <sub>i</sub> (min) mm	滚子外径 Roller diameter D(max) mm	销轴 Pin							链板 Plate		最小抗 拉强度 Ultimate tensile strength Q(min) kN
				d	d <sub>1</sub>	d <sub>2</sub>	L <sub>1</sub>	L <sub>2</sub>	L	Type	h	t/T	
P125J-D	125	15	30	12	8	13.3	20.35	23	59.6	B	28	3/4	32
AMP125-D	125	15	30	12	8	13.3	21.4	23	61.5	A	28	4	40
P125N-D	125	15	33.6	12	8	13.3	21	22.3	59.8	B	28	4	80



链号 Chain No.	节距 Pitch P mm	内节内宽 Width between inner plates b <sub>i</sub> (min) mm	滚子外径 Roller diameter D(max) mm	销轴 Pin					链板 Plate			最小抗 拉强度 Ultimate tensile strength Q(min) kN
				d	d <sub>1</sub>	L <sub>1</sub>	L <sub>2</sub>	L	h	t/T	E	
P125H-D	125	15	30	12	8	21	22	59	28	3.1/4	60	32