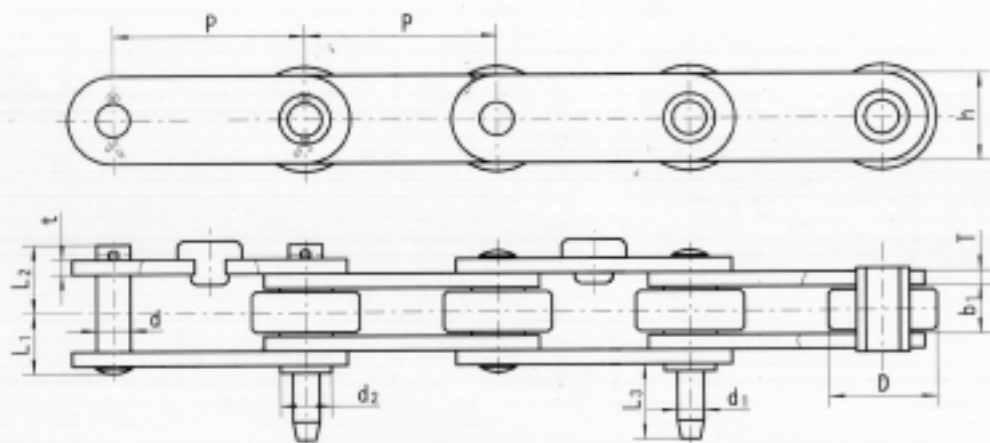


链号 Chain No.	节距 Pitch P mm	内节内宽 Width between inner plates b <sub>i</sub> (min) mm	滚子外径 Roller Diameter D(max) mm	销轴 Pin					链板 Plate		最小抗 拉强度 Ultimate tensile strength Q(min) kN
				d	d <sub>1</sub>	L <sub>1</sub>	L <sub>2</sub>	L <sub>3</sub>	h	t/T	
P50.8-D	50.8	14	28.58	9	7	15.75	19.15	21.9	24	3	40
P50.8B-D*	50.8	14	28.58	9	6	15.75	18.15	21.9	24	3	40



链号 Chain No.	节距 Pitch P mm	内节内宽 Width between inner plates b <sub>i</sub> (min) mm	滚子外径 Roller Diameter D(max) mm	销轴 Pin					链板 Plate		最小抗 拉强度 Ultimate tensile strength Q(min) kN	
				d	d <sub>1</sub>	d <sub>2</sub>	L <sub>1</sub>	L <sub>2</sub>	L <sub>3</sub>	h		t/T
P50.8C-DB	50.8	14	28.58	9	7	12.3	15.75	18.15	31.9	24	3	40
P50.8F-D	50.8	14	28.58	9	7	12.3	15.75	18.15	27	24	3	40
P62.5-D	62.5	14	28.58	9	8	12.3	15.75	18.15	31.9	24	3	31

注：带 \*链条滚子分工程塑料和不锈钢两种材质。

Note: For the chains with\*, there are two kinds of materials for their rollers, engineering plastic and stainless steel.