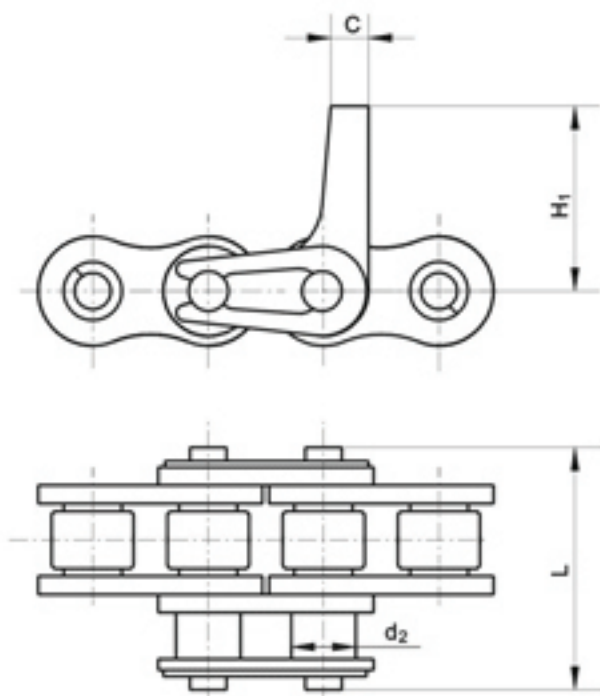
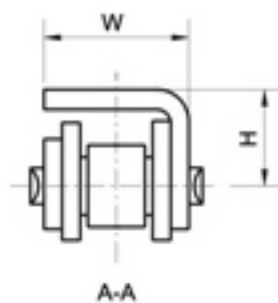
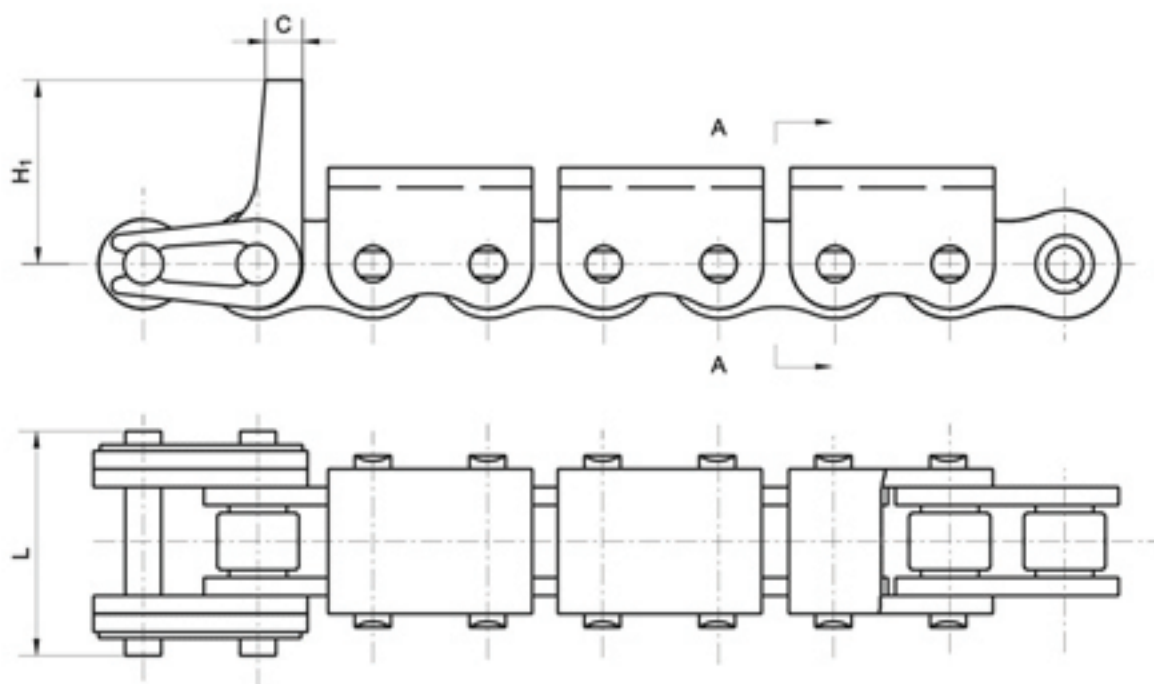


冷饮食品链 · 包装机械链

Cold Drink & Process Food Chains · Packing Machine Chains



链号 Chain No.	C mm	d ₂ mm	H ₁ mm	L mm
C08B-N1	4	7	20	27
C08B-N2	4	8.51	20	32.4
C08B-N4	3	/	22	21



链号 Chain No.	C mm	H mm	H ₁ mm	L mm	W mm
C08B-N3	2	10.5	30/22	22.4	14.2