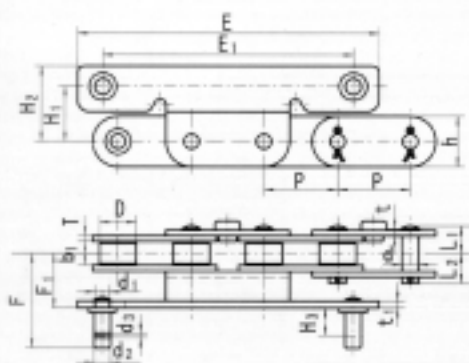


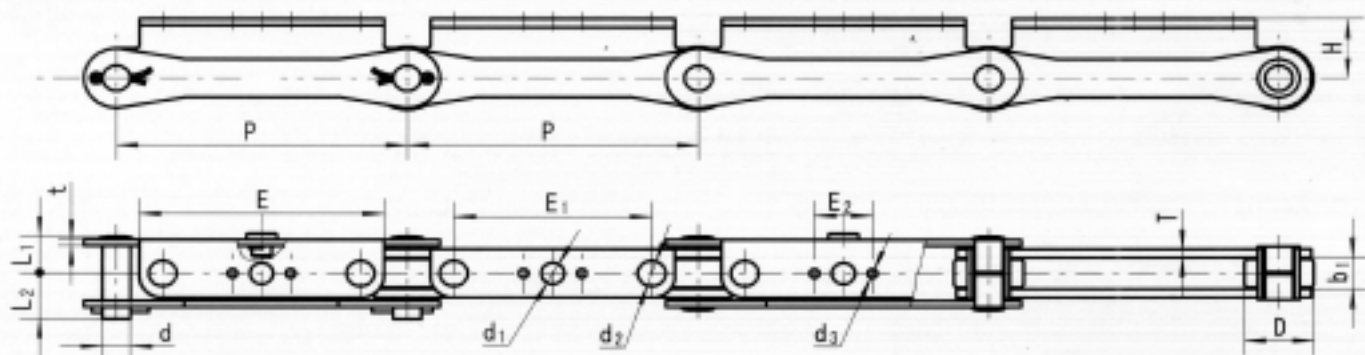
# 冷饮食品链

## Cold Drink & Food Processing Chains



E <sub>1</sub>	E	F <sub>1</sub>	F	H <sub>1</sub>	H <sub>2</sub>	d <sub>1</sub>	t <sub>1</sub>	H <sub>3</sub>	d <sub>2</sub>	d <sub>3</sub>
mm	mm	mm	mm	mm	mm	mm	mm	mm	mm	mm
108	130	22	39.5	24	33	6	3	12	7	2

链号 Chain No.	节距 Pitch P mm	内节内宽 Width between inner plates b <sub>1</sub> (min) mm	滚子外径 Roller diameter D(max) mm	销 轴 Pin			链 板 Plate		最小抗 拉强度 Ultimate tensile strength Q(min) kN
				d	L <sub>1</sub>	L <sub>2</sub>	h	t/T	
C210E·N1	31.75	10.5	15.88	7.4	12.95	15.05	22	2.5	25



E <sub>1</sub>	E <sub>2</sub>	E	d <sub>1</sub>	d <sub>2</sub>	d <sub>3</sub>	H
mm	mm	mm	mm	mm	mm	mm
85	25	105	10	12	4.1	28

链号 Chain No.	节距 Pitch P mm	内节内宽 Width between inner plates b <sub>1</sub> (min) mm	滚子外径 Roller diameter D(max) mm	销 轴 Pin			链 板 Plate		最小抗 拉强度 Ultimate tensile strength Q(min) kN
				d	L <sub>1</sub>	L <sub>2</sub>	h	t/T	
P125E-D	125	15	30	12	17.5	20.5	28	3/4	32