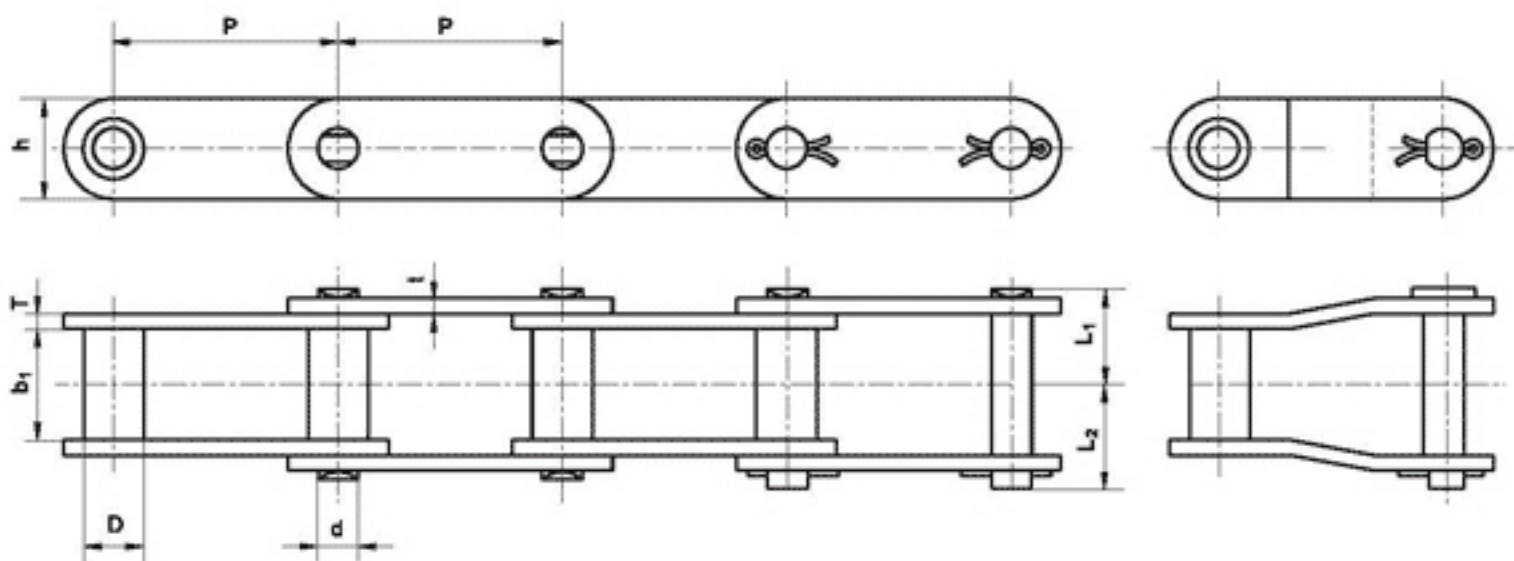
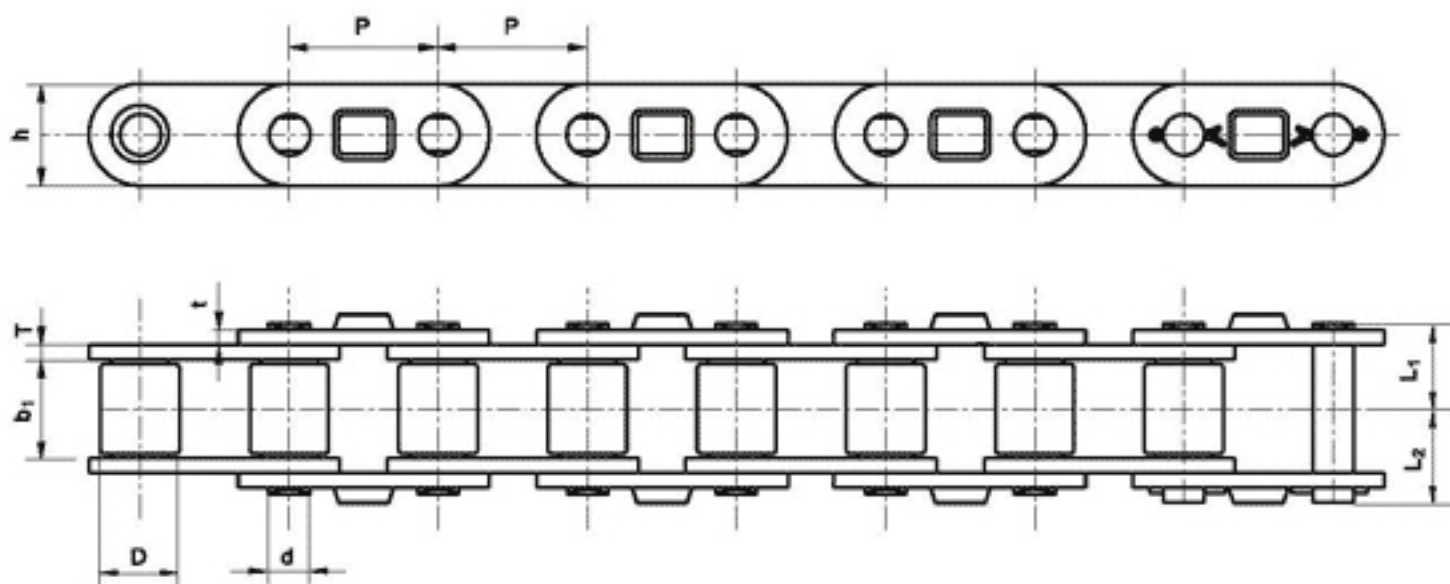


CA系列农用滚子链

CA Series Agricultural Roller Chains



链号 Chain No.	节距 Pitch P mm	内节内宽 Width between inner plates b_1 (min) mm	套筒外径 Bush diameter D(max) mm	销轴 Pin			链板 Plate		最小抗拉 强度 Ultimate tensile strength Q_{min} kN	平均拉 伸强度 Average tensile strength Q_0 kN	每米净重 Weight per meter q kg/m
				d mm	L_1 mm	L_2 mm	h mm	t/T mm			
CA395	38.4	19	10.38	6.92	16.7	19.5	17.2	2.62	36	42	1.30



链号 Chain No.	节距 Pitch P mm	内节内宽 Width between inner plates b_1 (min) mm	滚子 外径 Roller diameter D(max) mm	销轴 Pin			链板 Plate		最小抗拉 强度 Ultimate tensile strength Q_{min} kN	平均拉 伸强度 Average tensile strength Q_0 kN	每米净重 Weight per meter q kg/m
				d mm	L_1 mm	L_2 mm	h mm	t/T mm			
CA2801	30	19.05	15.88	8.28	17.65	20.65	20.5	3	52.9	60	2.47
CA555	41.4	12.7	16.7	7.16	14.65	17.45	19.05	3.2	56	56.5	1.82