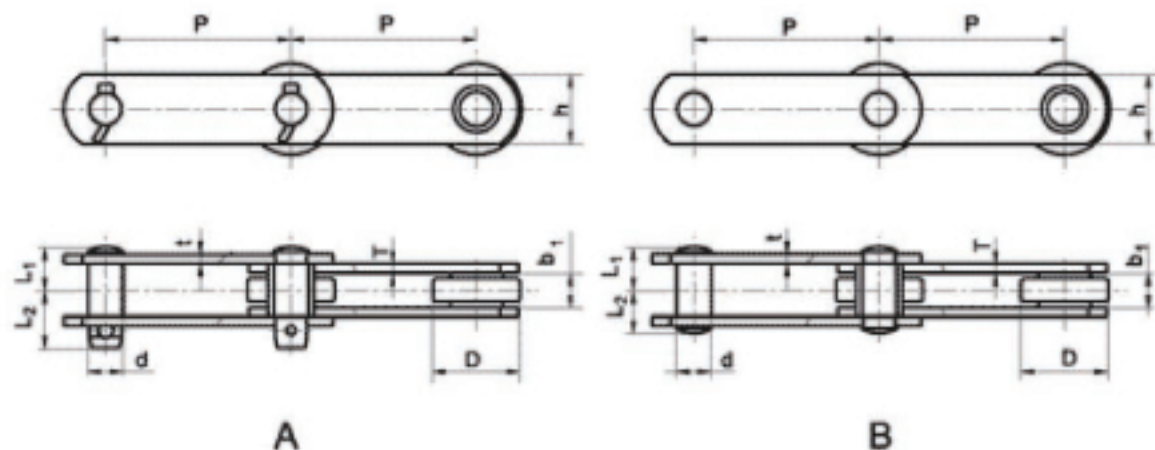
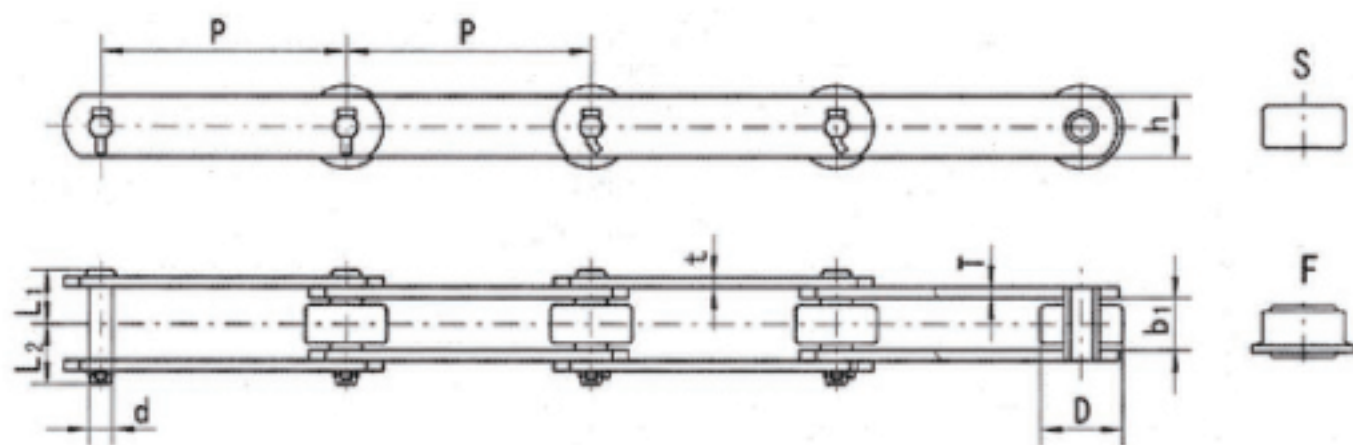


其它型棕榈油链

Other Types Palm Oil Chains



链号 Chain No.	节距 Pitch P mm	内节内宽 Width between inner plates b_1 (min) mm	滚子外径 Roller diameter D(max) mm	销轴 Pin				链板 Plate		最小抗拉 强度 Ultimate tensile strength Q(min) kN	许用工作 载荷 Rated working load kN	每米净重 Weight per meter q kg/m
				d mm	L_1 mm	L_2 mm	Type	h mm	t/T mm			
HS KT818EB	101.6	19.05	47.63	19.05	24.2	30.3	A	38.1	5.1	97.8	11.7	7.1
HS KT818EB-R						24.2	B					6.96
HS 4×30000	101.6	25.4	66.7	28	28.8	28.8	B	50.8	5.1/7.1	133	13.2	14.07
HS 6×45000	152.4	38.1	88.9	31.8	43	43	B	61	9	200	19.6	32.43



链号 Chain No.	节距 Pitch P mm	内节内宽 Width between inner plates b_1 (min) mm	滚子外径 Roller diameter D(max) mm	销轴 Pin			链板 Plate		最小抗拉 强度 Ultimate tensile strength Q(min) kN	许用工作 载荷 Rated working load kN	每米净重 Weight per meter q kg/m	
				d mm	L_1 mm	L_2 mm	h mm	t/T mm			S	F
HS RF604R	152.4	30	50.8	14.27	31.9	36.8	38.1	6.4	158	20.5	7.85	8.3