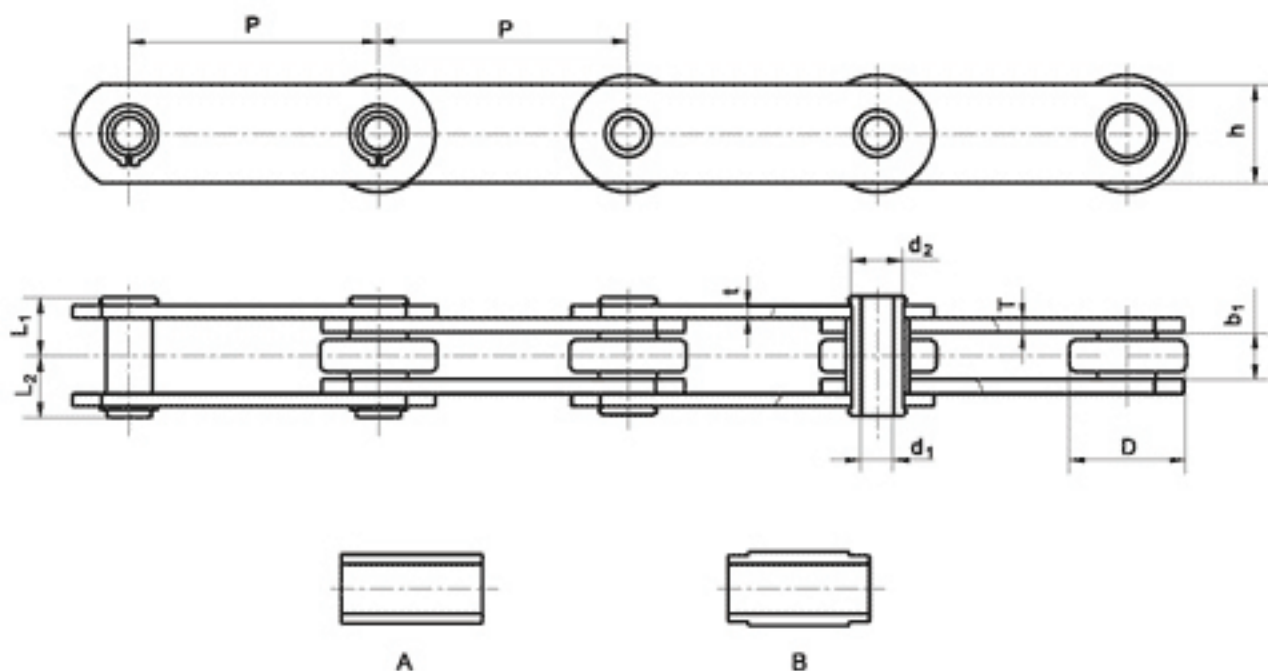
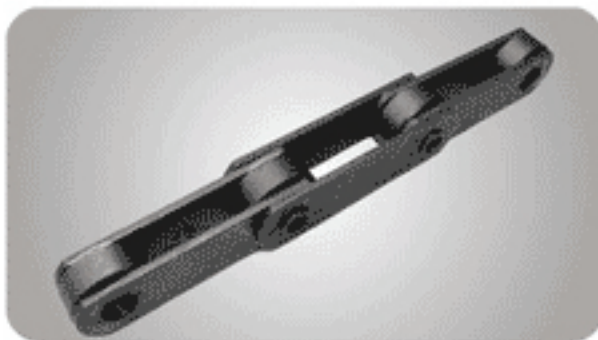


# 空心销轴型棕榈油链

## Hollow Pin Type Palm Oil Chains



链号 Chain No.	节距 Pitch P mm	内节内宽 Width between inner plates $b_1$ (min) mm	滚子外径 Roller diameter D(max) mm	空心销轴 Hollow Pin					链板 Plate		最小抗拉 强度 Ultimate tensile strength Q(min) kN	许用工作 载荷 Rated working load kN	每米净重 Weight per meter q kg/m
				$d_1$ (min) mm	$d_2$ mm	$L_1$ mm	$L_2$ mm	Type	h mm	t/T mm			
HS 4×15000HP	101.6	18.9	47.63	13.1	19.05	24.2	24.8	A	40	5/6	66.7	4.3	6.92
HS 4×21000HP	101.6	19.05	47.63	13.1	19.05	23	24	B	39.4	5.1	95	6.5	6.56
HS 6×36000HP	152.4	25.4	66.7	20.07	26.9	28.8	29.4	B	50.8	5.1/7.1	200	13	10.02
HS 6×36000HP-N 1	152.4	25.4	66.7	20.07	26.9	29.3	31.4	B	50.8	7.1/7.1	200	13	10.75
HS 6×36000HHP	152.4	25.4	66.7	20.07	26.9	30.8	31.6	B	50.8	6.4/7.8	220	13.9	10.86
HS8×45000HP	203.2	38.1	88.9	22.85	30	40	44.2	A	61	8	280	19.3	17.27